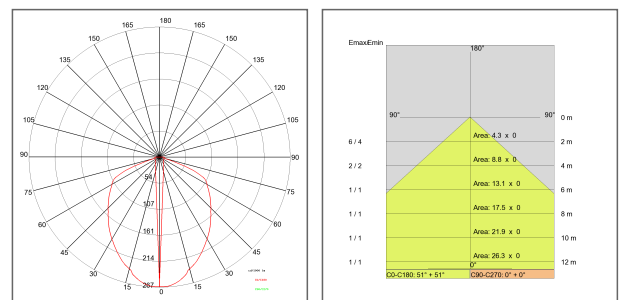


EYES A-1 LED
COD: E881-M-LBC-68

Use:
outside, led
Installation:
Wall/Ceiling recessed
Recessed hole:
Recessed hole diam.16 mm. Recessed thickness 2-18 mm
Fixing system:
Steel spring
Body/structure:
Chromed brass ring and die-cast aluminium body
Colour:
Chrome
Optic/reflector:
Metacrylate LED lens
Equipment:
Silicon rubber gaskets
Control gear:
Not included; to be ordered separately

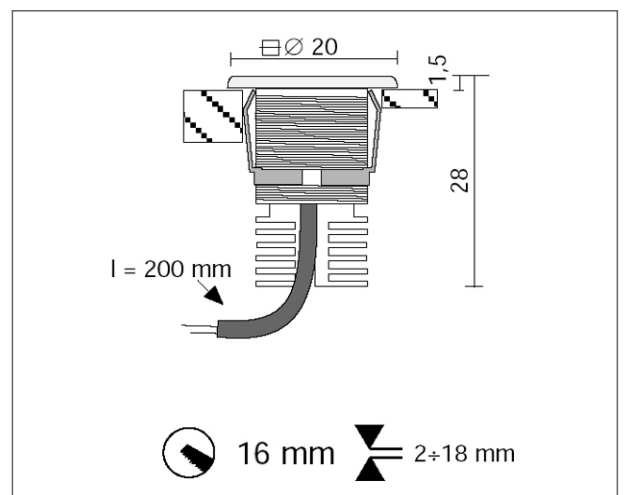
Current: 350mA dc
Beam angle: Simmetric flood beam
Insulation class: Insulation class 3
Weight: 0,020 kg
IP rating: 68
Glow wire: [850 °C]
Lamp included: Yes
Kind of led: Power LED
Lamp wattage: 1.2 W
Lamp luminous flux: 80 lm
Colour temperature: 3000K
CRI: 80

Review board: 11-07-2012

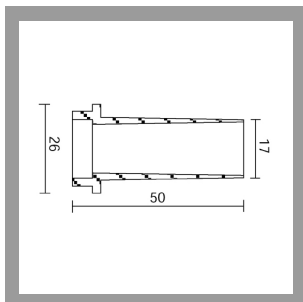


Lamp: 1 x LED +/- 1.2 W 80 lm

350mA dc IP 68 A*

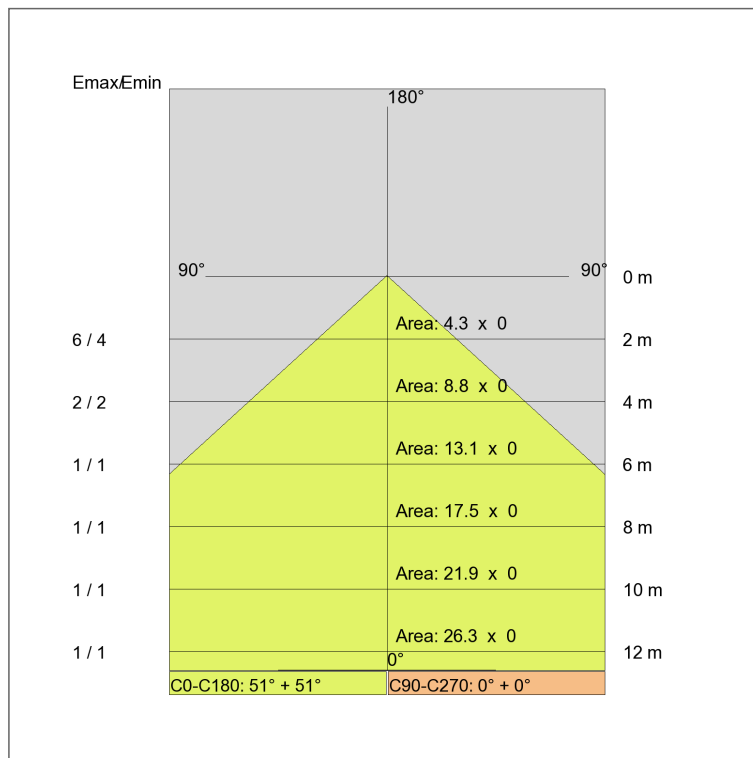
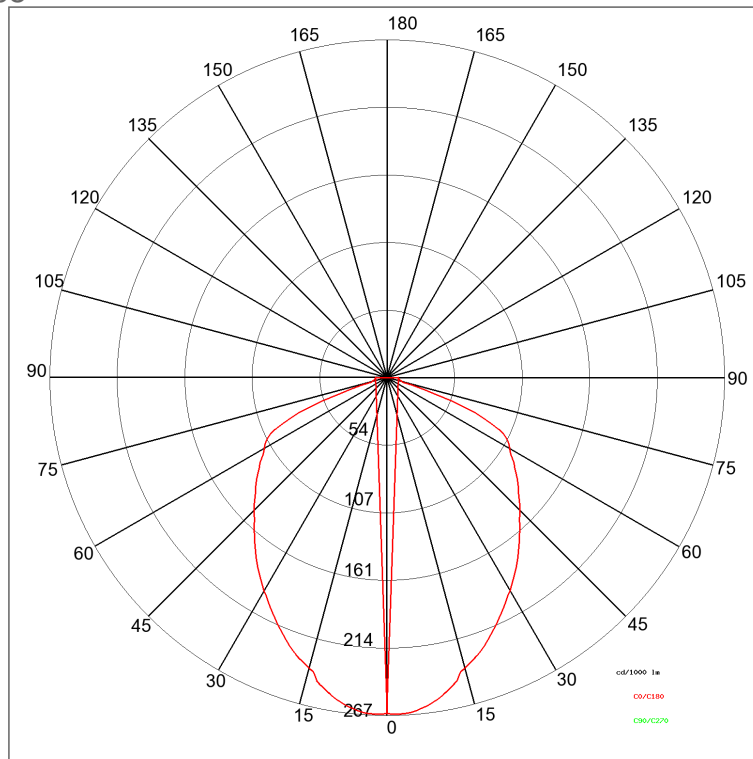


EYES A-1 LED
COD: E881-M-LBC-68



186-5
CASSAF. per INCASSO A
PARETE EYES

EYES A-1 LED
COD: E881-M-LBC-68



EYES A-1 LED
COD: E881-M-LBC-68

